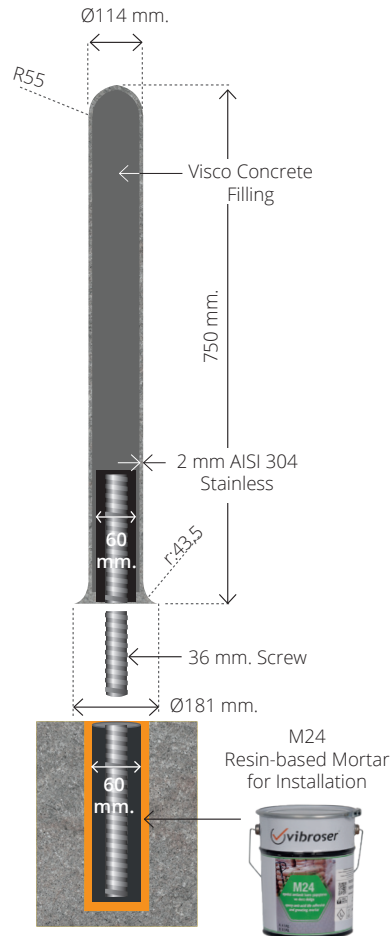




Hygienic Stainless Steel Safety Post (Bollard)

- Description** : Stainless protective “**SAFETY BOLLARD**” provides protection against impacts on doors and walls. They are products made of 2 mm visco concrete filled AISI 304 or 316 grade stainless steel which reduce bacteria growth thanks to their radius form and can be applied by means of an easy-to-clean screw system and M24 resin-based mortar for installation.
- Product Code** : **DBSS750-00HIPKD**
- Areas of Use** : Food Industry (Meat, Fish, Milk, Dairy Products, Bakery Products, Oil, Food, Beverage, etc.)
Healthcare Industry (Hospitals, Laboratories, Pharmaceutical Manufacturing & Storage),
Chemicals, Petrochemicals, Automotive, Cosmetics, Logistics and Transportation, Tourism,
Shopping Centers and Supermarkets, etc.
- Material** : Visco concrete filled 2 mm AISI 304 or 316 grade stainless steel
- Color** : Stainless
- How to Install** : After the drilling of the place of installation through core drilling machine, apply using the screw system and M24 resin-based mortar.
- Dimensions** : Height 750 mm, Radius diameter (r= 43,5 mm ~Ø 87 mm.)
- Weight** : ~22,00 Kg / Pc.
- Packaging** : Product is shipped on pallets, within boxes or crates, depending on quantity, wrapped in the form of single packs.

Product Code:
DBSS750-00HIPKD



VİBROSER SERAMİK İNŞAAT SAN. ve TİC. LTD. ŞTİ.

Cihangir Mh. Meşrutiyet Cd. Semah Sk. No: 15/3 34310 Avcılar - İstanbul / Turkey

Tel: +90 212 422 8795 - 422 8796 • Fax: +90 212 422 8799

www.vibroser.com • info@vibroser.com