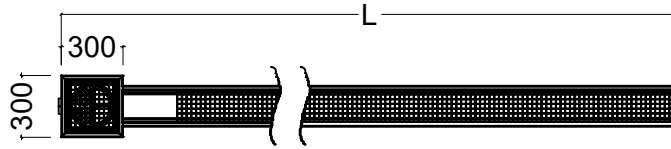
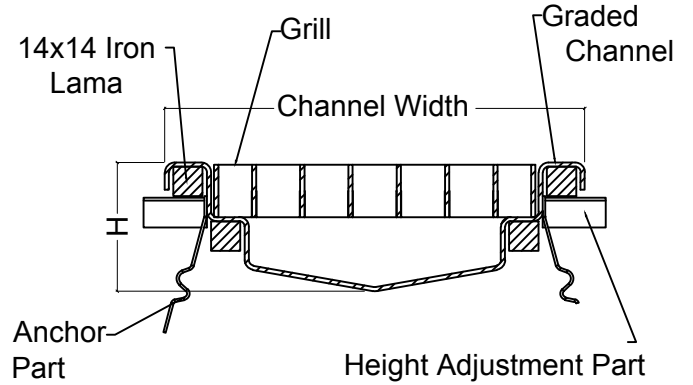
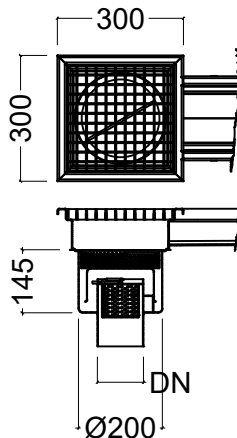


## WASTEWATER COLLECTION CHANNEL

- Description** : It is a siphon-regulated, point-by-point wastewater evacuation product that can be cleaned to transfer wastewater formed in the installation facilities. This Drainage Systems product will prevent bacteria formation, which will create a precaution from wastewater installation to odor and pest input.
- Product Code** : WASK-KG-F-11-00
- Areas of Use** : Food Industry (Meat, Fish, Milk, Dairy Products, Bakery Products, Fat Food, Beverage, etc.)  
Health Sector (Hospital, Laboratory, Pharmaceutical Production-Storage), Chemistry, Petro-Chemistry, Automotive, Cosmetics, Logistics and Transportation, Tourism Sectors, Shopping Malls, and Supermarkets
- Technical Specifications** : The gradual duct, the output from an end, a 0.6% fixed slope in the exit direction, fixed siphon, the first forehead twist of the channel, and the second bend of the top grille sat 14x14 mm filled with iron lama reinforced from the bottom. The height is barked into the adjustment parts.
- Channel Width** : 150 / 200 / 250 / 300 / 350 / 400 / 450 / 500 mm
- Channel Length** : It can be arranged in the requested sizes.
- Output Measure** : DN50, DN70 and DN100
- Material** : Complete AISI304 quality stainless steel product
- Packaging** : In nylon shrinks, it is shipped in pallets or crates.
- Explanation** : Drainage systems made of AISI304 or AISI316 grade stainless steel, siphon and duct production are made on a standard or project basis.



EXIT BOX, BOTTOM OUTPUT



EXIT BOX, HORIZONTAL OUTPUT

